

Design Improvement

FHDI00030A

To Fit:

DAF: XF95, 105 series, CF65, CF75, CF85 series
FODEN: Alpha series

(Juratek DAF111D)

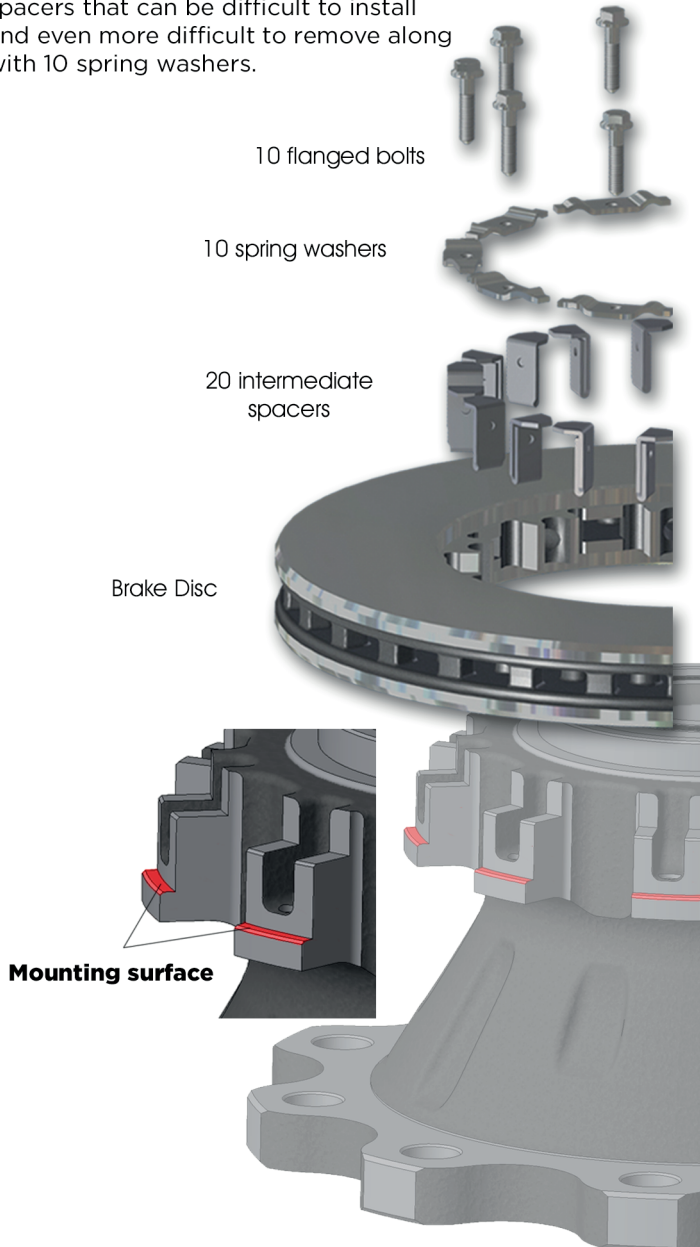
OE Ref:

DAF: 1387439, 1640561, 1726138, 1739542, 1783346, 1812563, 1812582
KNORR BREMSE: IL39112F, IL39541F, K004322, K034248K50, K034249K50, 20009911

OEM Design

Feature

The original design has 20 intermediate spacers that can be difficult to install and even more difficult to remove along with 10 spring washers.

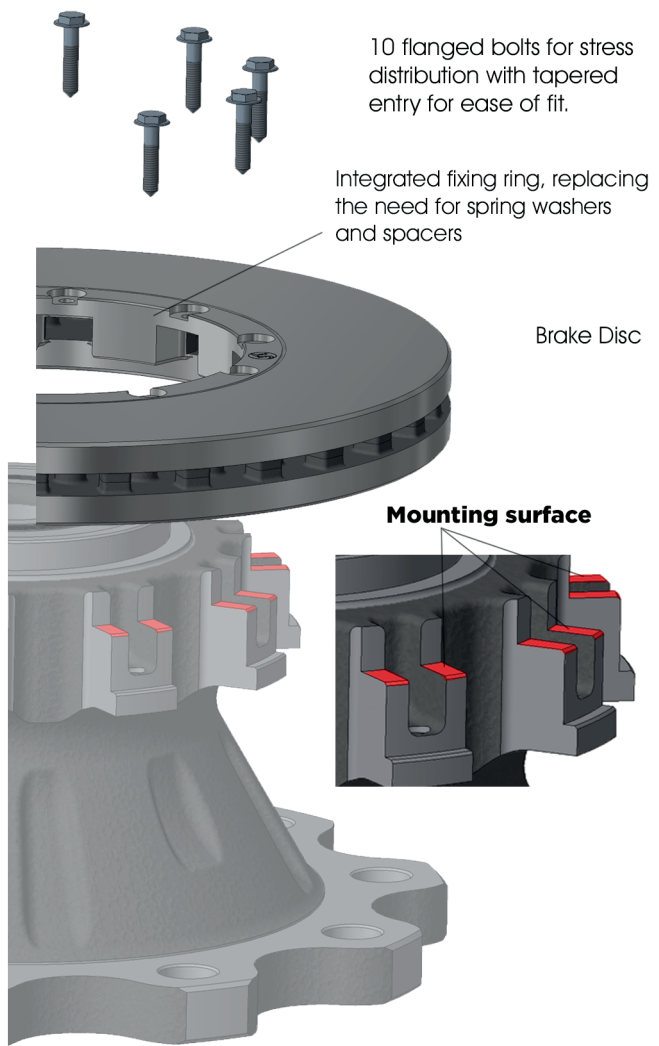


The original design is mounted on a small surface area and is prone to excessive wear. Excessive wear to this area can cause the disc to become loose.

Fras-Le Design

Improvement

The Fras-Le design reduces the fitting and removal times due to the integrated fitting ring and increases the strength of the fitting. This increased strength comes from the inner splines being increased in width and the weight reduction space being filled. This can prevent the splines from separating from the disc when under stress.



The Fras-Le design is mounted on a different section of the hub and is a larger surface area. A greater surface area has much less wear potential.

This new fixing method allows full clamping load to be applied directly to the new mounting face, so minimising the risk of torsional movement between disc and hub. Using this new mounting surface also means a new disc can be fitted to a previously worn hub.

